

High Power 793nm PM 3-port Optical Circulator

High Power 793nm Polarization Maintaining (PM) 3-port Optical Circulator is a fiber passive component built with TGG crystal, which can change signal light transmission path, the signal can be delivered from Port 1 to Port 2, the other signal light from Port 2 to Port 3, the high isolation can block the back reflection light. It's widely used in Laser System, Fiber Optic Sensor and Coherent Detecting field. If need pulse type please contact us to confirm.

Application:

Fiber Optic Amplifier
Fiber Optic Sensor
Laser System
Coherent Detecting

Features:

High Power
High Extinction Ratio
High Isolation
High Reliability



Specification:

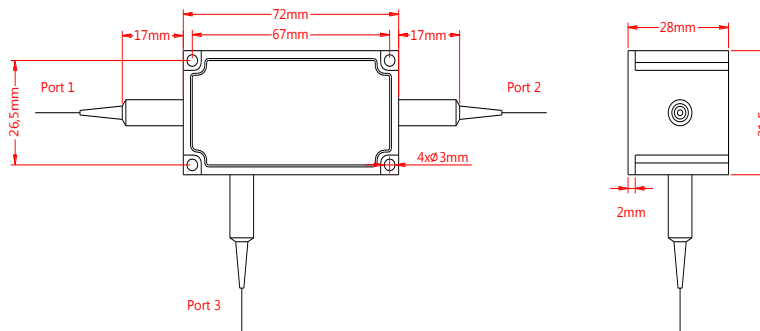
Parameter	Symbol	Value	Unit
Center Wavelength	λ	793	nm
Bandwidth	BW	± 5	nm
Typ. Insertion Loss (Port 1 to 2, 2 to 3)	IL	1.3	dB
Max. Insertion Loss (Port 1 to 2, 2 to 3)	IL	1.5	dB
Typ. Isolation (Port 2 to 1, 3 to 2)	Iso	28	dB
Min. Isolation (Port 2 to 1, 3 to 2)	Iso	22	dB
Min. Extinction Ratio	ER	20	dB
Min. Cross Talk	Ct	45	dB
Min. Return Loss	RL	45	dB
Max. Optical Power (CW)	P	1, 3, 5 or specify	W
Max. Peak Power	P	5, 10 or specify	kW
Max. Tensile Load		5	N
Fiber Type		PM Panda fiber	-
Operating Temperature	T	+5~65	$^{\circ}\text{C}$
Storage Temperature	T	-40~85	$^{\circ}\text{C}$
Package Dimension			mm

Notice: Above specifications are tested at center wavelength without connector in room temperature @23 $^{\circ}\text{C}$.

For devices with connectors, IL will be 0.3dB higher, RL will be 5dB lower, ER will be 2dB lower.

Slow axis is default aligned to the connector key. Connectors only 1W CW optical power guarantee.

Drawing:



Ordering Information (Part Number):

HPMCIR- WWW - P - A - HH - J - LL - CC						
WWW	P	A	HH	J	LL	CC
Wavelength	Port	Working Axis	Handling Power	Fiber Jacket	Fiber Length	Connector
780 - 780nm	3 - 3 Ports	F - Fast Axis Blocked Slow Axis Working B - Both Axes Working	01 - 1W	B - 250um Bare Fiber 9 - 900um Loose Tube	05 - 0.5m	NE - None
785 - 785nm			03 - 3W		10 - 1.0m	FA - FC/APC
790 - 790nm			05 - 5W		15 - 1.5m	FU - FC/UPC
793 - 793nm			SS - Specify		20 - 2.0m	SA - SC/APC
SSS - Specify					SS - Specify	SU - SU/APC
						LA - LC/APC
						LU - LC/UPC
						SS - Specify