

## 1260-1650nm All Band Tap PD

1260-1650nm All Band Tap PD is an optoelectronic component which can detect the input optical signal power and output a part of light by a fixed ratio. It features compact package, high responsibility, Low dark current and low insertion loss, it's widely used in WDM System, Optical Line Protection, EDFA, the tap ratio could be customized by customer.

### Application:

WDM System  
Optical Line Protection  
EDFA  
Testing System

### Features:

High Responsibility  
Low Insertion Loss  
Low Dark Current  
High Reliability



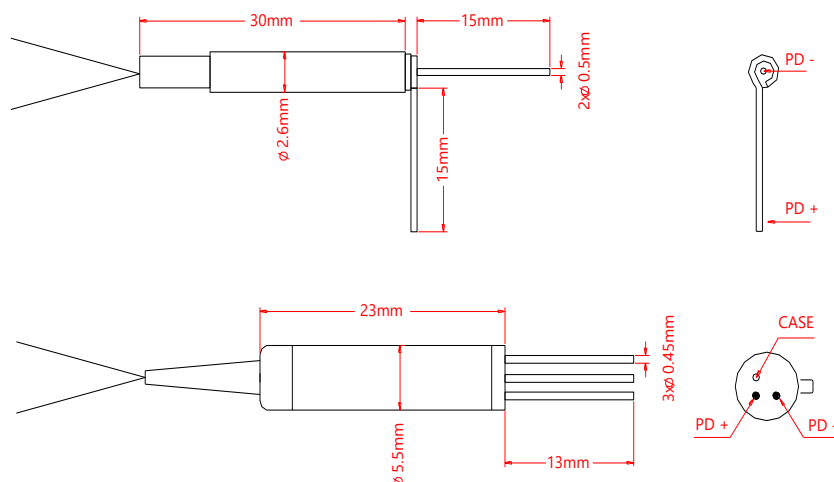
### Specification:

Parameter	Symbol	Value				Unit
Bandwidth	BW	1260-1650				nm
Tap Ratio		1	2	5	10	%
Max. Insertion Loss	IL	0.5	0.6	0.7	1.0	dB
Responsibility		2~20	5~35	10~75	30~150	mA/W
Max. Polarization Dependent Loss	PDL	0.1				dB
Max. Polarization Mode Dispersion	PMD	0.1				ps
Min. Return Loss	RL	45				dB
Max. Dark Current	I <sub>d</sub>	5				nA
Max. Reverse Voltage	V <sub>r</sub>	5				V
Min. Breakdown Voltage	V <sub>r</sub>	20				V
Max. Forward Current	I <sub>f</sub>	5				mA
Max. Capacitance	C	2				pF
Max. ESD Threshold		200				V
3dB Bandwidth		2				GHz
Fiber Type		SMF-28e				-
Max. Tensile Load		5				N
Max. Optical Power (CW)	P	300				mW
Operating Temperature	T	-10~70				°C
Storage Temperature	T	-40~85				°C
Package Dimension		Φ2.6x30 or Φ5.5x23				mm

Notice: Above specifications are tested at center wavelength without connector in room temperature @23°C.

For devices with connectors, IL will be 0.3dB higher, RL will be 5dB lower.

### Drawing:



**Ordering Information (Part Number):****SMTPD-WW-RR-D-J-LL-CC**

<b>WW</b>	<b>RR</b>	<b>D</b>	<b>J</b>	<b>LL</b>	<b>CC</b>
<b>Wavelength</b>	<b>Tap Ratio</b>	<b>Package Dimension</b>	<b>Fiber Jacket</b>	<b>Fiber Length</b>	<b>Connector</b>
<b>AB</b> - 1260-1650nm All Band	<b>01</b> - 1/99 <b>02</b> - 2/98 <b>05</b> - 5/95 <b>10</b> - 10/90 <b>SS</b> - Specify	<b>1</b> - $\Phi$ 2.6x30mm <b>2</b> - $\Phi$ 3.0x22mm <b>3</b> - $\Phi$ 5.5x23mm	<b>B</b> - 250um Bare Fiber <b>9</b> - 900um Loose Tube	<b>05</b> - 0.5m <b>10</b> - 1.0m <b>15</b> - 1.5m <b>20</b> - 2.0m <b>SS</b> - Specify	<b>NE</b> - None <b>FA</b> - FC/APC <b>FU</b> - FC/UPC <b>SA</b> - SC/APC <b>SU</b> - SU/APC <b>LA</b> - LC/APC <b>LU</b> - LC/UPC <b>SS</b> - Specify

**Notification:**

1. The Semiconductor Optoelectronic products are particularly sensitive of ESD (electro-static discharge), it's recommended to use grounded anti-static wrist straps and grounded anti-static mats before handling the products.
2. Always take anti-static measures to storage the products when not in use.

