

3-panel Polarization Controller 1310nm

3-panel Polarization Controller is a fiber passive component used for controlling the light polarization status, it's made by the principle of birefringence generated by the optical fiber under the external force. The fiber type can be customized, it's widely used in fiber optic sensor, OCT application.

Application:

OCT
Fiber Optic Sensor
FiberOptic Diffraction
Fiber Laser

Features:

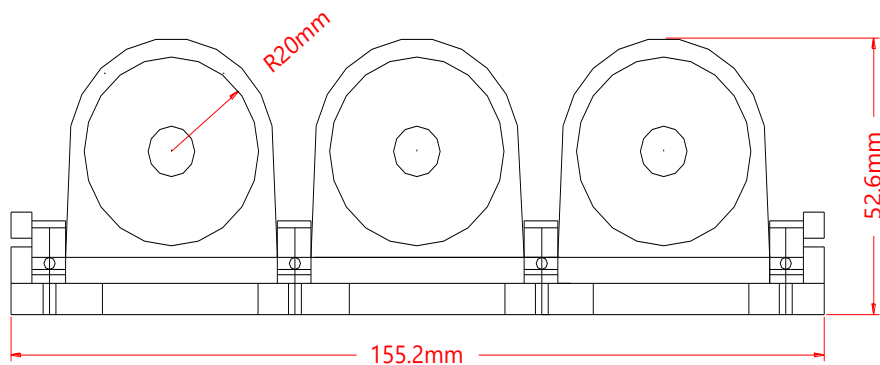
Low Insertion Loss
Compact Package
RoHs Compliant
High Reliability


Specification:

Parameter	Symbol	Value	Unit
Operating Wavelength	λ	1310, 1550	nm
Typ. Insertion Loss	IL	0.5	dB
Min. Return Loss	RL	50	dB
Max. Optical Power (CW)	P	500	mW
Max. Tensile Load		5	N
Fiber Type		SMF-28e fiber	-
Operating Temperature	T	0~70	°C
Storage Temperature	T	-40~85	°C
Package Dimension			mm

Notice: Above specifications are tested at center wavelength without connector in room temperature @23°C.

For devices with connectors, IL will be 0.3dB higher, RL will be 5dB lower.

Drawing:

Ordering Information (Part Number):
PC-WWWW-FF-J-LL-CC

WWWW	FF	J	LL	CC
Wavelength	Fiber Type	Fiber Jacket	Fiber Length	Connector
1310- 1310nm	S2 - SMF-28e	B - 250um Bare Fiber	05 - 0.5m	NE - None
1550- 1550nm	SS - Specify	9 - 900um Loose Tube	10 - 1.0m	FA - FC/APC
SSSS - Specify			15 - 1.5m	FU - FC/UPC
			20 - 2.0m	SA - SC/APC
			SS - Specify	SU - SU/APC
				LA - LC/APC
				LU - LC/UPC
				SS - Specify