

1550nm PM Tap PD

1550nm PM Tap PD is an optoelectronic component which can detect the input optical signal power and output a part of light by a fixed ratio. It features compact package, high responsibility, Low dark current and low insertion loss, it's widely used in WDM System, Optical Line Protection, EDFA, the tap ratio could be customized by customer.

Application:

WDM System
Optical Line Protection
EDFA
Testing System

Features:

High Responsibility
Low Insertion Loss
Low Dark Current
High Reliability



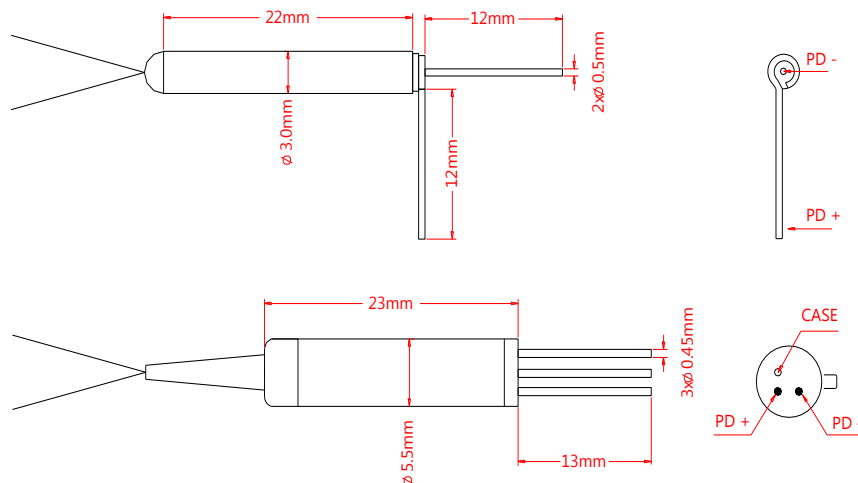
Specification:

Parameter	Symbol	Value				Unit
Center Wavelength	λ	1550				nm
Bandwidth	BW	1510-1610				nm
Tap Ratio		1	2	5	10	%
Max. Insertion Loss	IL	0.5	0.5	0.6	0.9	dB
Min. Responsibility		8	15	35	70	mA/W
Min. Extinction Ratio	ER	20				dB
Max. Wavelength Dependent Loss	WDL	0.3				ps
Min. Return Loss	RL	45				dB
Max. Dark Current	I_d	1				nA
Max. Reverse Voltage	V_r	30				V
Max. Forward Current	I_f	10				mA
Max. Capacitance	C	6				pF
Fiber Type		PM Panda Fiber				-
Max. Tensile Load		5				N
Max. Optical Power (CW)	P	300				mW
Operating Temperature	T	-10~70				°C
Storage Temperature	T	-40~85				°C
Package Dimension		$\Phi 3.0 \times 22$ or $\Phi 5.5 \times 23$				mm

Notice: Above specifications are tested at center wavelength without connector in room temperature @23°C.

For devices with connectors, IL will be 0.3dB higher, ER will be 2dB lower, RL will be 5dB lower.

Drawing:



Ordering Information (Part Number):

PMPD- WWW -RR-D-J-LL-CC					
WWW	RR	D	J	LL	CC
Wavelength	Tap Ratio	Package Dimension	Fiber Jacket	Fiber Length	Connector
1310 - 1310nm	01 - 1/99	1 - Φ 3.0x18mm	B - 250um Bare Fiber	05 - 0.5m	NE - None
1550 - 1550nm	02 - 2/98	2 - Φ 3.0x22mm	9 - 900um Loose Tube	10 - 1.0m	FA - FC/APC
	05 - 5/95	3 - Φ 5.5x23mm		15 - 1.5m	FU - FC/UPC
	10 - 10/90			20 - 2.0m	SA - SC/APC
	SS - Specify			SS - Specify	SU - SU/APC
					LA - LC/APC
					LU - LC/UPC
					SS - Specify

Notification:

1. The Semiconductor Optoelectronic products are particularly sensitive of ESD (electro-static discharge), it's recommended to use grounded anti-static wrist straps and grounded anti-static mats before handling the products.
2. Always take anti-static measures to storage the products when not in use.

