

## 1310nm PM MPO MTP Breakout Fiber Patchcord

1310nm Polarization Maintaining (PM) MPO MTP Breakout Fiber Patchcord is built with PM Panda fiber, it's used for polarized light transmission and keep the light polarization maintaining, the termination connector can be MPO, MTP or MT at one end, MPO, MTP, MT, FC, SC, LC at the other end. It features low insertion loss and high extinction ratio.

### Application:

Fiber Optic Gyroscope  
Fiber Optic Sensor  
Fiber Amplifier System  
Testing System

### Features:

High Extinction Ratio  
High Return Loss  
Low Insertion Loss  
High Reliability



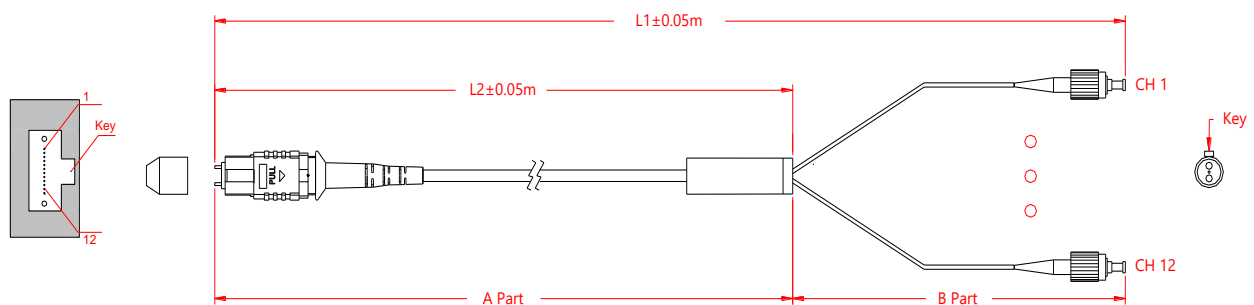
### Optical Specification:

Parameter	Symbol	Value	Unit
Center Wavelength	$\lambda$	1310	nm
Typ. Insertion Loss	IL	0.3	dB
Max. Insertion Loss	IL	0.5	dB
Min. Extinction Loss	ER	20	dB
Min. Return Loss	RL	50 for UPC, 60 for APC	dB
Fiber Type		PM Panda Fiber	-
Axis Alignment		Key aligned to Slow Axis or Fast Axis	-
Min. Plug Times		1000	Times
Tensile Load		5	N
Max. Optical Power	P	500	mW
Operating Temperature	T	-5~70	°C
Storage Temperature	T	-40~85	°C

Notice: Above specifications are tested at center wavelength in room temperature @23°C.

Slow axis is default aligned to the connector key.

### Drawing:



### Ordering Information (Part Number):

PMBOFP- <b>WWW</b> - <b>FF</b> - <b>J</b> - <b>LL</b> - <b>CC</b> - <b>CC</b>						
<b>WWW</b>	<b>FF</b>	<b>J</b>	<b>LL</b>	<b>CC</b>		<b>CC</b>
Wavelength	Fiber Count	Fiber Jacket (A part B part)	Fiber Length (total)	Connector 1	MT Type	Connector 2
1310 - 1310nm	02 - 2 Channel	32 - 3mm for A part	05 - 0.5m	MPOA - MPO/APC	(F) - Female	FA - FC/APC
1550 - 1550nm	04 - 4 channel	2mm for B part	10 - 1.0m	MPOP - MPO/PC	(M) - Male	FU - FC/UPC
	08 - 8 channel	39 - 3mm for A part	15 - 1.5m	MTPA - MTP/APC		SA - SC/APC
	12 - 12 channel	0.9mm for B part	20 - 2.0m	MTPP - MTP/PC		SU - SC/UPC
	24 - 24 channel	29 - 2mm for A part	30 - 3.0m	MTA - MT/APC		LA - LC/APC
		0.9mm for B part	SS - Specify	MTP - MT/PC		LU - LC/UPC
		SS - Specify				