

458nm 3-port Polarization Insensitive Optical Circulator

458nm TGG 3-port Polarization Insensitive Optical Circulator is a fiber passive component built with TGG crystal, which can change signal light transmission path, the signal can be delivered from Port 1 to Port 2, the other signal light from Port 2 to Port 3, the high isolation can block the back reflection light. It's widely used in Quantum Communication, Fiber Laser and Coherent Detecting field. If need higher power version please tell us to confirm.

Application:

Quantum Communication
Fiber Laser
Coherent Detecting
Lab&Research

Features:

Low PDL
High Isolation
Low Insertion Loss
High Reliability



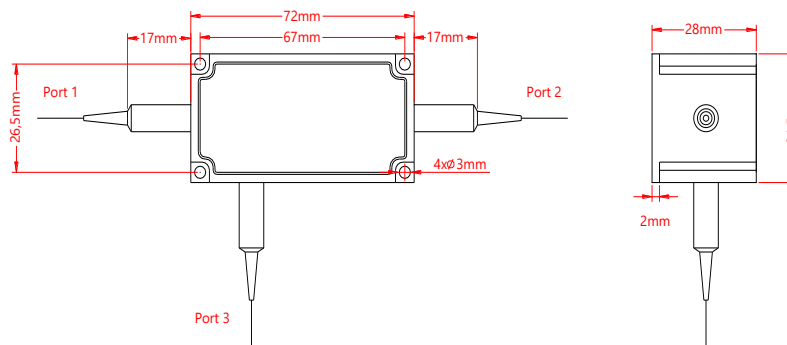
Specification:

| Parameter | Symbol | Value | Unit |
|---|-----------|---------------------|------|
| Center Wavelength | λ | 458 | nm |
| Bandwidth | BW | ± 5 | nm |
| Typ. Insertion Loss (Port 1 to 2, 2 to 3) | IL | 1.2 | dB |
| Max. Insertion Loss (Port 1 to 2, 2 to 3) | IL | 1.5 | dB |
| Typ. Isolation (Port 2 to 1, 3 to 2) | Iso | 20 | dB |
| Min. Isolation (Port 2 to 1, 3 to 2) | Iso | 18 | dB |
| Max. Polarization Dependent Loss | PDL | 0.2 | dB |
| Min. Cross Talk | Ct | 45 | dB |
| Min. Return Loss | RL | 45 | dB |
| Max. Optical Power (CW) | P | 300 or customized | mW |
| Max. Tensile Load | | 5 | N |
| Fiber Type | | Nufern 460-HP fiber | - |
| Operating Temperature | T | +10~50 | °C |
| Storage Temperature | T | -40-85 | °C |
| Package Dimension | | | mm |

Notice: Above specifications are tested at center wavelength without connector in room temperature @23°C.

For devices with connectors, IL will be 0.3dB higher, RL will be 5dB lower.

Drawing:



Ordering Information (Part Number):

| PICIR- WWW - P - J - LL - CC | | | | |
|---|-------------|--|--|---|
| WWW | P | J | LL | CC |
| Wavelength | Port | Fiber Jacket | Fiber Length | Connector |
| 458 - 458nm 461 - 461nm SSS - Specify | 3 - 3 Ports | B - 250um Bare Fiber 9 - 900um Loose Tube | 05 - 0.5m 10 - 1.0m 15 - 1.5m 20 - 2.0m SS - Specify | NE - None FA - FC/APC FU - FC/UPC SA - SC/APC SU - SU/APC LA - LC/APC LU - LC/UPC SS - Specify |