

## High Power 980nm 3-port Polarization Insensitive Optical Circulator

High Power 980nm 3-port Polarization Insensitive Optical Circulator is a fiber passive component built with TGG crystal, which can change signal light transmission path, the signal can be delivered from Port 1 to Port 2, the other signal light from Port 2 to Port 3, the high isolation can block the back reflection light. It's widely used in Fiber Amplifier System, Fiber Optic Sensor and Testing System field. If need pulse type please tell us to confirm.

### Application:

Fiber Optic Sensor  
Fiber Optic Amplifier  
Coherent Detecting  
Testing System

### Features

High Power  
High Isolation  
Low Insertion Loss  
High Reliability



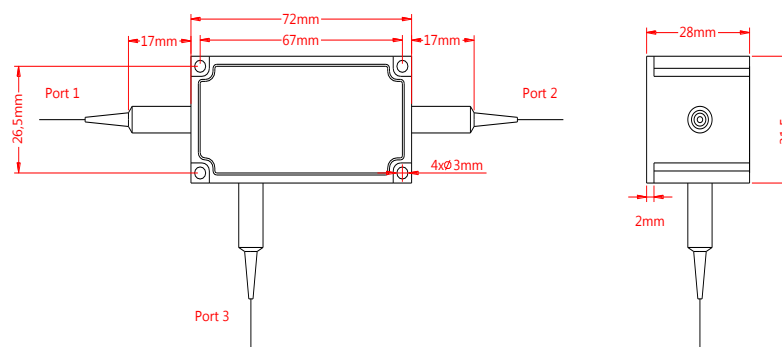
### Specification:

Parameter	Symbol	Value	Unit
Center Wavelength	$\lambda$	980	nm
Bandwidth	BW	$\pm 5$	nm
Typ. Insertion Loss (Port 1 to 2, 2 to 3)	IL	1.2	dB
Max. Insertion Loss (Port 1 to 2, 2 to 3)	IL	1.5	dB
Typ. Isolation (Port 2 to 1, 3 to 2)	Iso	25	dB
Min. Isolation (Port 2 to 1, 3 to 2)	Iso	22	dB
Max. Polarization Dependent Loss	PDL	0.15	dB
Min. Cross Talk	Ct	45	dB
Min. Return Loss	RL	45	dB
Max. Optical Power (CW)	P	1, 3, 5, 10, 20 or specify	W
Max. Peak Power	P	5, 10, 20 or specify	kW
Max. Tensile Load		5	N
Fiber Type		HI 1060 fiber	-
Operating Temperature	T	+10~50	°C
Storage Temperature	T	0~60	°C
Package Dimension			mm

Notice: Above specifications are tested at center wavelength without connector in room temperature @23°C.

For devices with connectors, IL will be 0.3dB higher, RL will be 5dB lower. connectors only 1W CW optical power guarantee.

### Drawing:



### Ordering Information (Part Number):

HPICIR- <b>WWW</b> - <b>P</b> - <b>HH</b> - <b>J</b> - <b>LL</b> - <b>CC</b>					
<b>WWW</b>	<b>P</b>	<b>HH</b>	<b>J</b>	<b>LL</b>	<b>CC</b>
Wavelength	Port	Handling Power	Fiber Jacket	Fiber Length	Connector
915 - 915nm	3 - 3 Ports	01 - 1W	B - 250um Bare Fiber	05 - 0.5m	NE - None
930 - 930nm		03 - 3W		10 - 1.0m	FA - FC/APC
940 - 940nm		05 - 5W	15 - 1.5m	FU - FC/UPC	
950 - 950nm		10 - 10W	20 - 2.0m	SA - SC/APC	
975 - 975nm		20 - 20W	SS - Specify	SU - SU/APC	
980 - 980nm				LA - LC/APC	
SSS - Specify				LU - LC/UPC	
				SS - Specify	