

1550nm 48CH PM Fiber Array

1550nm 48CH PM Fiber Array is a fiber optic product built with PM panda fiber, the PM fiber ribbon is arranged into the V-groove with horizontal or vertical axis alignment, the FA end face can be 0°, 7° or 8° (or customized) polished, it's widely used in MEMS systems, fiber optic sensor and silicon photonic field. FA channel can be customized upon request. FA with AR-Coating is also available.

Application:

MEMS Systems
Fiber Optic Sensor
Silicon Photonic
Lab And Research

Features:

High Extinction Ratio
High Power Available
Low Insertion Loss
High Reliability



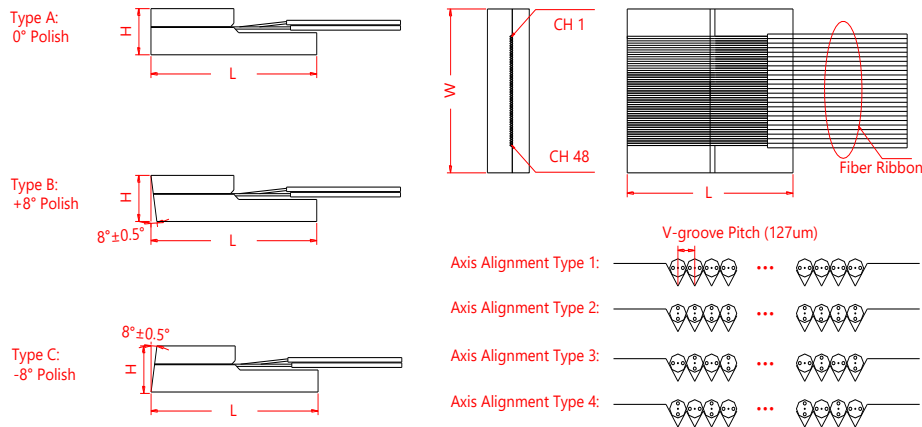
Specification:

Parameter	Symbol	Value	Unit
Center Wavelength	λ	1550	nm
Bandwidth	BW	± 20	nm
Channel		48	CH
Max. Insertion Loss	IL	0.15	dB
Min. Extinction Ratio	ER	18	dB
Polish Angle		0, 7, 8 (± 0.5) or Customized	Degree
V-groove Pitch		127 (± 0.5)	um
Axis Alignment		Horizontal or Vertical	-
Axis Alignment Tolerance		± 2	Degree
Fiber Type		PM 1550 Panda fiber	-
Operating Temperature	T	-40~85	°C
Storage Temperature	T	-40~85	°C
Package for 127um Pitch		L11.5xW9.0xH2.5	mm

Notice: Above specifications are tested at center wavelength without connector in room temperature @23 °C.

For devices with connectors, IL will be 0.3dB higher, ER will be 2dB lower, slow axis is default aligned to the connector key.

Drawing:



Ordering Information (Part Number):

PMFA- WWWW - CC - P - VVV - A - J - LL - CC							
WWWW	CC	P	VVV	A	J	LL	CC
Wavelength	Channel	Polish Angle	V-groove Pitch	Axis Alignment	Fiber Jacket	Fiber Length	Connector
1550 - 1310nm SSSS - Specify	48 - 48 Channels SS - Specify	A - Type A B - Type B C - Type C	127 - 127um	1 - Type 1 2 - Type 2 3 - Type 3 4 - Type 4	B - 250um Bare Fiber 9 - 900um Loose Tube	05 - 0.5m 10 - 1.0m 15 - 1.5m 20 - 2.0m SS - Specify	NE - None FA - FC/APC FU - FC/UPC SA - SC/APC SU - SU/APC LA - LC/APC LU - LC/UPC SS - Specify