

## 800nm 3-port Polarization Insensitive Optical Circulator

800nm TGG 3-port Polarization Insensitive Optical Circulator is a fiber passive component built with TGG crystal, which can change signal light transmission path, the signal can be delivered from Port 1 to Port 2, the other signal light from Port 2 to Port 3, the high isolation can block the back reflection light. It's widely used in Fiber Amplifier System, Fiber Optic Sensor and Testing System field. If need higher power version please tell us to confirm.

### Application:

Fiber Optic Sensor  
Fiber Laser  
Coherent Detecting  
Fiber Optic Amplifier

### Features:

Low PDL  
High Isolation  
Low Insertion Loss  
High Reliability



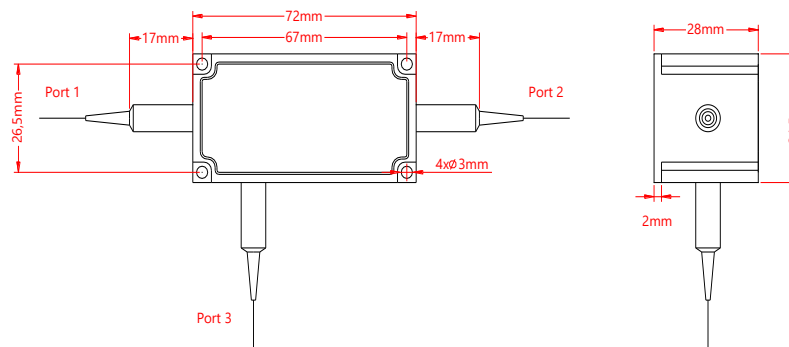
### Specification:

Parameter	Symbol	Value	Unit
Center Wavelength	$\lambda$	800	nm
Bandwidth	BW	$\pm 5$	nm
Typ. Insertion Loss (Port 1 to 2, 2 to 3)	IL	1.2	dB
Max. Insertion Loss (Port 1 to 2, 2 to 3)	IL	1.8	dB
Typ. Isolation (Port 2 to 1, 3 to 2)	Iso	25	dB
Min. Isolation (Port 2 to 1, 3 to 2)	Iso	22	dB
Max. Polarization Dependent Loss	PDL	0.2	dB
Min. Cross Talk	Ct	45	dB
Min. Return Loss	RL	45	dB
Max. Optical Power (CW)	P	300	mW
Max. Tensile Load		5	N
Fiber Type		HI 780 fiber	-
Operating Temperature	T	+10~50	°C
Storage Temperature	T	0-60	°C
Package Dimension			mm

Notice: Above specifications are tested at center wavelength without connector in room temperature @23°C.

For devices with connectors, IL will be 0.3dB higher, RL will be 5dB lower.

### Drawing:



### Ordering Information (Part Number):

PICIR- <b>WWW</b> - <b>P</b> - <b>J</b> - <b>LL</b> - <b>CC</b>				
<b>WWW</b>	<b>P</b>	<b>J</b>	<b>LL</b>	<b>CC</b>
Wavelength	Port	Fiber Jacket	Fiber Length	Connector
800 - 800nm	3 - 3 Ports	B - 250um Bare Fiber	05 - 0.5m	NE - None
808 - 808nm		9 - 900um Loose Tube	10 - 1.0m	FA - FC/APC
810 - 810nm			15 - 1.5m	FU - FC/UPC
820 - 820nm			20 - 2.0m	SA - SC/APC
830 - 830nm			SS - Specify	SU - SU/APC
850 - 850nm				LA - LC/APC
SSS - Specify				LU - LC/UPC