

## 1060nm 1x1 SM Mechanical Optical Switch

1060nm 1x1 SM Mechanical Optical Switch is an optoelectronic passive product which can switch or operate the light signal in the optical transmission line or integrated optical path. It's widely used in fiber communication, fiber optic sensor and optical testing systems, high power type is available upon request.

### Application:

Fiber Communication  
Fiber Optic Sensor  
Optical Testing System  
Lab & Research

### Features:

Low Insertion Loss  
Low PDL  
RoHs Compliant  
High Reliability



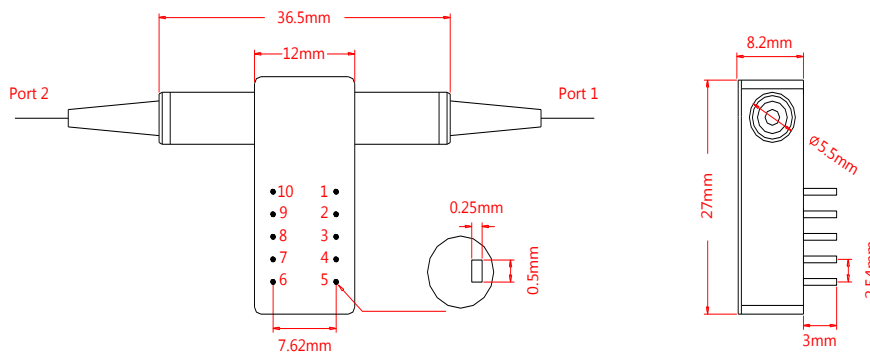
### Specification:

Parameter	Symbol	Value	Unit
Center Wavelength	$\lambda$	1060	nm
Bandwidth	BW	$\pm 30$	nm
Typ. Insertion Loss	IL	0.7	dB
Max. Insertion Loss	IL	1.0	dB
Max. Polarization Dependent Loss	PDL	0.1	dB
Max. Wavelength Dependent Loss	WDL	0.25	dB
Max. Temperature Dependent Loss	TDL	0.25	dB
Min. Return Loss	RL	50	dB
Min. Cross Talk		55	dB
Max. Repeatability		$\pm 0.02$	dB
Power Supply		3.0 or 5.0	V
Min. Life Time		$10^9$	Cycle
Max. Switching Time		8	ms
Max. Optical Power (CW)	P	500	mW
Max. Tensile Load		5	N
Fiber Type		HI 1060	-
Operating Temperature	T	-20~70	$^{\circ}\text{C}$
Storage Temperature	T	-40~85	$^{\circ}\text{C}$
Package Dimension		L27xW12xH8.2	mm

Notice: Above specifications are tested at center wavelength without connector in room temperature @23 $^{\circ}\text{C}$ .

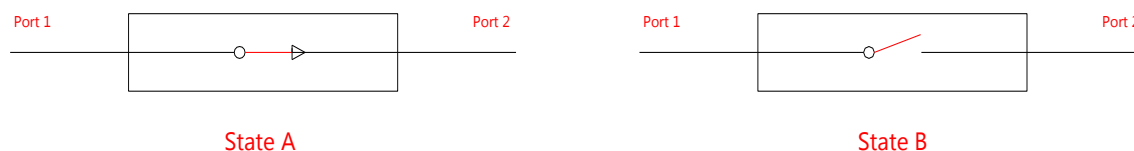
For devices with connectors, IL will be 0.3dB higher, RL will be 5dB lower.

### Drawing:



**Pin Information:**

Type for 1x1	Optical Path	Electric Drive				Status Sensor			
		Pin 1	Pin 5	Pin 6	Pin 10	Pin 2-3	Pin 3-4	Pin 7-8	Pin 8-9
Latching	Port 1 - Port 2	V+	GND	-	-	Open	Close	Close	Open
	Light Close	-	-	GND	V+	Close	Open	Open	Close
Non-latching	Port 1 - Port 2	V+	-	-	GND	Open	Close	Close	Open
	Light Close	-	-	-	-	Close	Open	Open	Close

**Optical Path:****Electric:**

Type	Voltage	Current	Resistance
5V Latching	4.5~5.5V	36~44mA	125Ω
5V Non-latching	4.5~5.5V	26~32mA	175Ω
3V Latching	2.7~3.3V	54~66mA	50Ω
3V Non-latching	2.7~3.3V	39~47mA	70Ω

**Ordering Information (Part Number):**SMSW-**WWW**-**M**-**D**-**J**-**LL**-**CC**

<b>WWW</b>	<b>CC</b>	<b>M</b>	<b>D</b>	<b>J</b>	<b>LL</b>	<b>CC</b>
Wavelength	Configuration	Mode	Driving Voltage	Fiber Jacket	Fiber Length	Connector
1030 - 1030nm	11 - 1x1	L - Latching	3 - 3V	B - 250um Bare Fiber	05 - 0.5m	NE - None
1040 - 1040nm		N - Non-latching	5 - 5V	9 - 900um Loose Tube	10 - 1.0m	FA - FC/APC
1050 - 1050nm					15 - 1.5m	FU - FC/UPC
1053 - 1053nm					20 - 2.0m	SA - SC/APC
1060 - 1060nm					SS - Specify	SU - SU/APC
1064 - 1064nm						LA - LC/APC
1080 - 1080nm						LU - LC/UPC
						SS - Specify