

1310nm 12x(1x2) SM Fiber Fused Coupler

1310nm 12x(1x2) SM Fused Coupler is built with fused biconical taper (FBT) technology, it integrated with 12pcs 1x2 fused coupler with a compact package, optical signal power can be splitted into two parts with even or various coupling ratio by the FBT Coupler, it's widely applied in fiber optic transmission and fiber optic sensor field, the MM and PM types are available upon request.

Application:

Fiber Optic Sensor
Optic Integration
Optical Signal Transmission
Optical Diffraction System

Features:

Low Excess Loss
High Return Loss
Low Insertion Loss
High Reliability



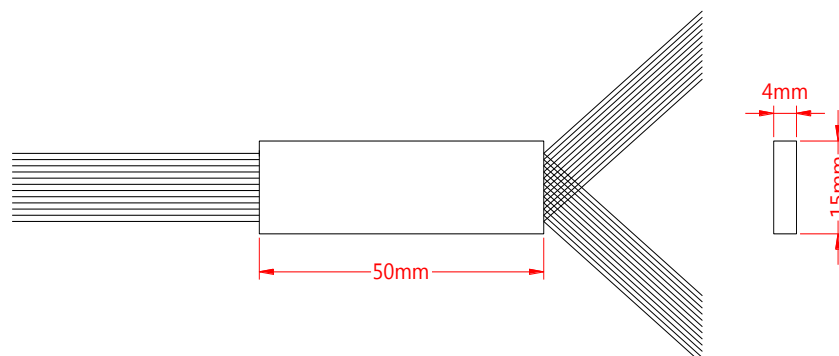
Specification:

Parameter	Symbol	Value	Unit	
Center Wavelength	λ	1310	nm	
Bandwidth	BW	± 20	nm	
Max. Excess Loss	EL	0.3	dB	
Max. Insertion Loss	IL	50/50	3.4/3.4	dB
		40/60	4.4/2.6	dB
		30/70	5.7/1.9	dB
		20/80	7.6/1.25	dB
		10/90	10.65/0.65	dB
		5/95	13.8/0.4	dB
		3/97	16.15/0.3	dB
		2/98	18.05/0.25	dB
		1/99	21.15/0.2	dB
Max. Polarization Dependent Loss	PDL	0.1	dB	
Min. Directivity		50	dB	
Min. Return Loss	RL	50	dB	
Fiber Type		SMF-28e fiber	-	
Max. Tensile Load		5	N	
Max. Optical Power (CW)	P	500	mW	
Operating Temperature	T	-40~75	$^{\circ}\text{C}$	
Storage Temperature	T	-40~85	$^{\circ}\text{C}$	
Package Dimension		50x15x4	mm	

Note: Above specifications are tested at center wavelength without connector in room temperature @23 $^{\circ}\text{C}$.

For devices with connectors, IL will be 0.3dB higher, RL will be 5dB lower.

Drawing:



Ordering Information (Part Number):**SMFUC-~~WWW~~-~~PPP~~-~~RR~~-~~J~~-~~LL~~-~~CC~~**

WWW	PPP	RR	J	LL	CC
Wavelength	Port	Coupling Ratio	Fiber Jacket	Fiber Length	Connector
1310 - 1310nm	0412 - 4x(1x2)	01 - 1/99	B - 250um Bare Fiber	05 - 0.5m	NE - None
1480 - 1480nm	0812 - 8x(1x2)	02 - 2/98	9 - 900um Loose Tube	10 - 1.0m	FA - FC/APC
1550 - 1550nm	1212 - 12x(1x2)	03 - 3/97		15 - 1.5m	FU - FC/UPC
1570 - 1570nm	1612 - 16x(1x2)	05 - 5/95		20 - 2.0m	SA - SC/APC
1590 - 1590nm		10 - 10/90		SS - Specify	SU - SU/APC
1625 - 1625nm		20 - 20/80			LA - LC/APC
		30 - 30/70			LU - LC/UPC
		40 - 40/60			MPO - MPO
		50 - 50/50			MTP - MTP
		SS - Specify			MT - MT Ferrule
					SS - Specify