

## 850nm 1x3 3x3 PM Fiber Fused Coupler

850nm 1x3 3x3 Polarization Maintaining (PM) Fused Coupler is built with fused biconical taper (FBT) technology, it can be used in split the optical signal power into three parts with even or various coupling ratio and keep the polarization maintaining, it's widely applied in fiber optic sensor, fiber amplifier system and fiber optic diffraction field.

### Application:

Fiber Optic Amplifier  
Fiber Optic Sensor  
Fiber Laser  
Optical Diffraction System

### Features:

Low Excess Loss  
Low Insertion Loss  
High Extinction Ratio  
High Reliability



### Specification:

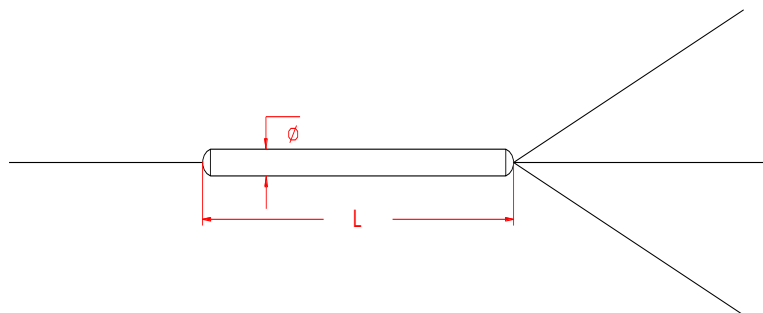
Parameter	Symbol	Value	Unit	
Center Wavelength	$\lambda$	850	nm	
Bandwidth	BW	$\pm 20$	nm	
Max. Excess Loss	EL	1.0	dB	
Max. Coupling Ratio Tolerance	CR	5/90/5	$5 \pm 1.5 / 90 \pm 2.5 / 5 \pm 1.5$	%
		10/80/10	$10 \pm 1.6 / 80 \pm 2.8 / 10 \pm 1.6$	%
		15/70/15	$15 \pm 1.8 / 70 \pm 3.0 / 15 \pm 1.8$	%
		20/60/20	$20 \pm 2.0 / 60 \pm 3.3 / 20 \pm 2.0$	%
		25/50/25	$25 \pm 2.4 / 50 \pm 3.5 / 25 \pm 2.4$	%
		30/40/30	$30 \pm 3.0 / 40 \pm 4.0 / 30 \pm 3.0$	%
		33/33/33	$33 \pm 6.0 / 33 \pm 6.0 / 33 \pm 6.0$	%
Min. Extinction Ratio	ER	For Ratio > 10% Port	16	dB
		For $5\% \leq \text{Ratio} \leq 10\%$ Port	14	dB
		For Ratio < 5% Port	12	dB
Fiber Type		PM Panda Fiber	-	
Max. Tensile Load		5	N	
Max. Optical Power (CW)	P	2	W	
Operating Temperature	T	-40~75	°C	
Storage Temperature	T	-40~85	°C	
Package Dimension		$\Phi 3.0 \times L54$ for 250um bare fiber $\Phi 4.0 \times L70$ for 900um loose tube	mm	

Notice: Above specifications are tested at center wavelength without connector in room temperature @23°C.

For devices with connectors, IL will be 0.3dB higher, EL will be 0.2dB higher, ER will be 2dB lower, slow axis is default aligned to the connector key.

If need optical power more than 2W CW, please contact us to confirm. Connectors only 1W (Continue Wavelength) optical power guarantee.

### Drawing:



**Ordering Information (Part Number):**

<b>PMFUC-WWW-PP-A-RR-J-LL-CC</b>						
<b>WWW</b>	<b>PP</b>	<b>A</b>	<b>RR</b>	<b>J</b>	<b>LL</b>	<b>CC</b>
<b>Wavelength</b>	<b>Port</b>	<b>Working Axis</b>	<b>Coupling Ratio</b>	<b>Fiber Jacket</b>	<b>Fiber Length</b>	<b>Connector</b>
800 - 800nm	13 - 1x3	B - Both Axes	05 - 5/90/5	B - 250um	05 - 0.5m	NE - None
808 - 808nm	33 - 3x3	Working	10 - 10/80/10	Bare Fiber	10 - 1.0m	FA - FC/APC
810 - 810nm		S - Slow Axis	15 - 15/70/15	9 - 900um	15 - 1.5m	FU - FC/UPC
820 - 820nm		Working	20 - 20/60/20	Loose Tube	20 - 2.0m	SA - SC/APC
830 - 830nm		F - Fast Axis	25 - 25/50/25		SS - Specify	SU - SU/APC
850 - 850nm		Working	30 - 30/40/30			LA - LC/APC
			33 - 33/33/33			LU - LC/UPC
			40 - 40/20/40			SS - Specify
			SS - Specify			