

1550nm PM 80um Cladding Pigtailed InGaAs PIN Photodiode

1550nm PM 80um Pigtailed InGaAs Photodiode is a semiconductor optoelectronic product designed for detecting light signal by transferring the light signal to electric signal, PM Pigtailed InGaAs Photodiode is built with InGaAs chip material and terminated with PM pigtail to detect the light with high responsibility and low dark current, it's widely used in fiber optic sensor and optic electric communication field, the pigtailed fiber can be customized upon request.

Application:

Fiber Communication
Fiber Optic Sensor
Computed Tomography
Testing System

Features:

High Response
Low Dark Current
Low Capacitance
High Reliability



Absolute Maximum Ratings:

Parameter	Symbol	Value	Unit
Reverse Voltage	Vr	30	V
Forward Current	If	10	mA
Operating Temperature	T	-40~+85	°C
Storage Temperature	T	-40~+85	°C
Solder Temperature	T	260	°C
Lead Solder Time		10	S

Notice: Above specifications should not be exceeded, or the Photodiode will be seriously damaged.

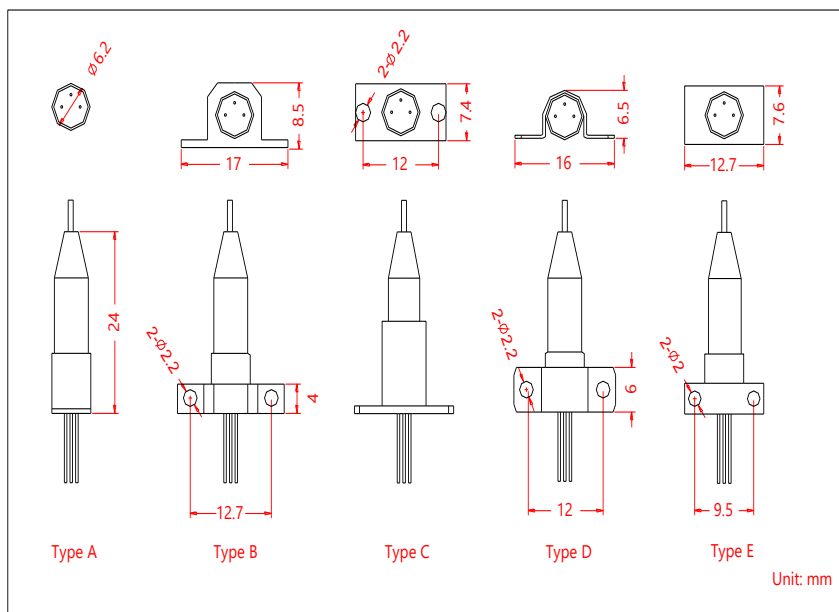
Optical and Electrical Specification:

Parameter	Symbol	Min.	Tpy.	Max.	Unit	Condition
Wavelength Range	λ	1100	1550	1650	nm	
Saturated Optical Power	P		2		mW	Vr=5V
Sensitivity @1310nm		-45			dBm	
Dark Current	Id		0.05	1	nA	Vr=5V
Responsivity	$\lambda=1550\text{nm}$	0.85	0.90		A/W	Vr=0V
Operating Voltage	Vr		5		V	
Breakdown Reverse voltage	Vb			40	V	Ir=10uA
Frequency Bandwidth	Bw		2.5		GHz	
Junction capacitance	Cj		0.3	0.7	Pf	Vr=5V
Active Diameter	Ad		0.3		mm	
Composite Second Order Beat	CSO	-70			dBc	
Composite Third Order Beat	CTB	-80			dBc	
Return Loss	RL	45	50		dB	
Fiber Type	PM 80um Cladding Panda fiber					

Notice: Above specifications are tested in room temperature at 25°C.

Specifications may change without notice.

Drawing:



Pin Information:

	Type A			Type B			Type C	
	Pin 1	PD +		Pin 1	PD +		Pin 1	PD +
	Pin 2	PD -		Pin 2	PD -		Pin 2	Case
	Pin 3	Case		Pin 3	Case		Pin 3	PD -

Ordering Information (Part Number):

PMRIPD- WWW - AAA - B - S - P - J - LL - CC							
WWW	AAA	B	S	P	J	LL	CC
Response Wavelength	Active Diameter	Bandwidth	Saddle Type	Pin Assingment	Fiber Jacket	Fiber Length	Connector
1550 - 1550nm	ZZ7 - Φ 0.07mm Z11 - Φ 0.11mm Z30 - Φ 0.3mm SSS - Specify	0 - None 1 - 155MHz 2 - 1.25GHz 3 - 2.5GHz	A - Type A B - Type B C - Type C D - Type D E - Type E	A - Type A B - Type B C - Type C	B - 165um Bare Fiber L - 900um Loose Tube	05 - 0.5m 10 - 1.0m 15 - 1.5m 20 - 2.0m SS - Specify	NE - None FA - FC/APC FP - FC/PC LA - LC/APC LU - LC/UPC SA - SC/APC SU - SC/UPC ST - ST/UPC

Notification:

1. The Semiconductor Optoelectronic products are particularly sensitive of ESD (electro-static discharge), it's recommended to use grounded anti-static wrist straps and grounded anti-static mats before handling the products.
2. Always take anti-static measures to storage the products when not in use.

