

1310nm 32CH PM Fiber Array

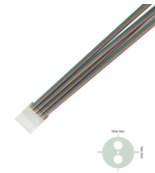
1310nm 32CH PM Fiber Array is a fiber optic product built with PM panda fiber, the PM fiber ribbon is arranged into the V-groove with horizontal or vertical axis alignment, the FA end face can be 0°, 7° or 8° (or customized) polished, it's widely used in MEMS systems, fiber optic sensor and silicon photonic field. FA channel can be customized upon request. FA with AR-Coating is also available.

Application:

MEMS Systems
Fiber Optic Sensor
Silicon Photonic
Lab And Research

Features:

High Extinction Ratio
High Power Available
Low Insertion Loss
High Reliability



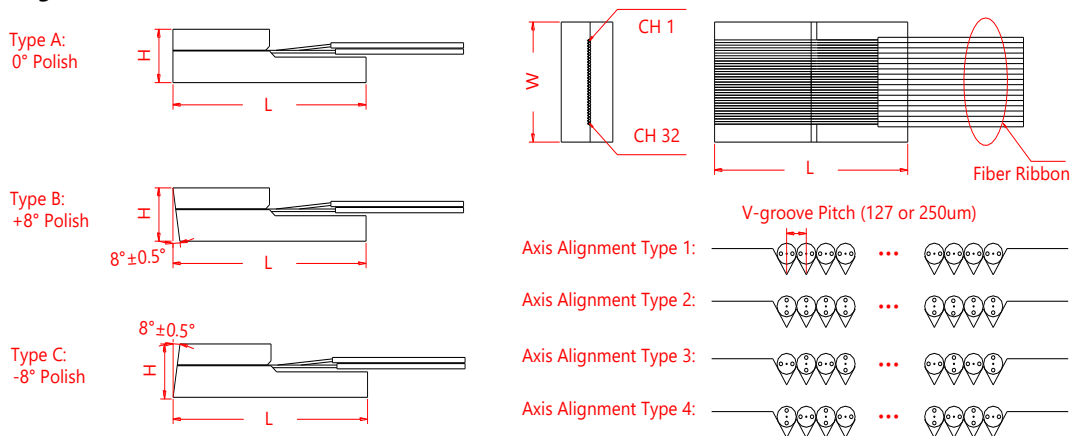
Specification:

Parameter	Symbol	Value	Unit
Center Wavelength	λ	1310	nm
Bandwidth	BW	± 20	nm
Channel		32	CH
Max. Insertion Loss	IL	0.15	dB
Min. Extinction Ratio	ER	18	dB
Polish Angle		0, 7, 8 (± 0.5) or Customized	Degree
V-groove Pitch		127 or 250 (± 0.5)	μm
Axis Alignment		Horizontal or Vertical	-
Axis Alignment Tolerance		± 2	Degree
Fiber Type		PM 1310 Panda fiber	-
Operating Temperature	T	-40~85	$^{\circ}\text{C}$
Storage Temperature	T	-40~85	$^{\circ}\text{C}$
Package for 127 μm Pitch		L11.5xW5.7xH2.5	mm
Package for 250 μm Pitch		L11.5xW9.0xH2.5	mm

Notice: Above specifications are tested at center wavelength without connector in room temperature @23 $^{\circ}\text{C}$.

For devices with connectors, IL will be 0.3dB higher, ER will be 2dB lower, slow axis is default aligned to the connector key.

Drawing:



Ordering Information (Part Number):

WWW	CC	P	VVV	A	J	LL	CC
Wavelength	Channel	Polish Angle	V-groove Pitch	Axis Alignment	Fiber Jacket	Fiber Length	Connector
1310 - 1310nm	32 - 32 Channels	A - Type A	127 - 127 μm	1 - Type 1	B - 250 μm	05 - 0.5m	NE - None
SSSS - Specify	SS - Specify	B - Type B	250 - 250 μm	2 - Type 2	Bare Fiber	10 - 1.0m	FA - FC/APC
		C - Type C		3 - Type 3	9 - 900mm	15 - 1.5m	FU - FC/UPC
				4 - Type 4	Loose Tube	20 - 2.0m	SA - SC/APC
						SS - Specify	SU - SU/APC
							LA - LC/APC
							LU - LC/UPC
							SS - Specify