

1550nm PM Pigtailed InGaAs PIN Photodiode

1550nm PM Pigtailed InGaAs PIN Photodiode is a semiconductor product which can detect light signal by transferring the light optical signal to electric signal, it's built with InGaAs chip material to detect the light signal from the pigtailed PM fiber. The InGaAs Photodiode (PD) is widely used for monitoring the optical power in fiber optic sensor and optic electric communication field.

Application:

Fiber Communication
Fiber Optic Sensor
Computed Tomography
Testing System

Features:

High Response
Low Dark Current
Low Capacitance
High Reliability



Absolute Maximum Ratings:

Parameter	Symbol	Value	Unit
Reverse Voltage	Vr	30	V
Forward Current	If	10	mA
Operating Temperature	T	-40~+85	°C
Storage Temperature	T	-40~+85	°C
Solder Temperature	T	260	°C
Lead Solder Time		10	S

Notice: Above specifications should not be exceeded, or the Photodiode will be seriously damaged.

Optical and Electrical Specification:

Parameter	Symbol	Min.	Tpy.	Max.	Unit	Test Condition
Wavelength Range	λ	1100	1550	1650	nm	
Saturation Input Power	P			5	mW	Vr=5V
Dark Current	Id		0.2	0.5	nA	Vr=5V
Responsivity	R	0.8	0.95	2	A/W	
Frequency Bandwidth	Bw	2.5			GHz	
Junction Capacitance	Cj		0.6	0.75	pF	Vr=5V
Active Diameter	Ad	55	75	1000	um	
Response Time (Raise/Fall)	Tr/Tf		0.1	0.3	ns	
Return Loss	RL	45	50		dB	
Fiber Type		PM 1550 Panda Fiber				

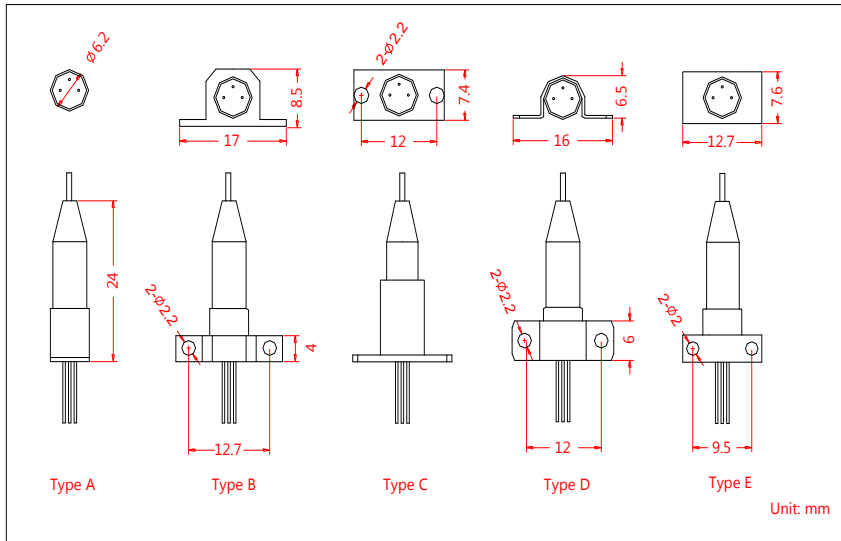
Notice: Above specifications are tested in room temperature at 25°C.

Slow axis is default aligned to the connector key.

Photodiode can be built with filter upon customer's request.

Specifications may change without notice.

Drawing:



Pin Information:

	Type A			Type B			Type C	
	Pin 1	PD +		Pin 1	PD +		Pin 1	PD +
	Pin 2	PD -		Pin 2	PD -		Pin 2	Case
	Pin 3	Case		Pin 3	Case		Pin 3	PD -

Ordering Information (Part Number):

PMIPD-**WWWW-AA-S-P-J-LL-CC**

WWWW	AA	S	P	J	LL	CC
Wavelength	Active Diameter	Saddle Type	Pin Assingment	Fiber Jacket	Fiber Length	Connector
1550 - 1550nm	55 - 55um 60 - 60um 75 - 75um 80 - 80um 1H - 100um 1K - 1000um	A - Type A B - Type B C - Type C D - Type D E - Type E	A - Type A B - Type B C - Type c	B - 250um Bare Fiber L - 900um Loose Tube	05 - 0.5m 10 - 1.0m 15 - 1.5m 20 - 2.0m SS - Specify	NE - None FA - FC/APC FU - FC/UPC LA - LC/APC LU - LC/UPC SA - SC/APC SU - SC/UPC ST - ST/UPC SS - Specify

Notification:

1. The Semiconductor Optoelectronic products are particulary sensitive of ESD (electro-static discharge), it's recommended to use grounded anti-static wrist straps and grounded anti-static mats before handling the products.
2. Always take anti-static measures to storage the products when not in use.

